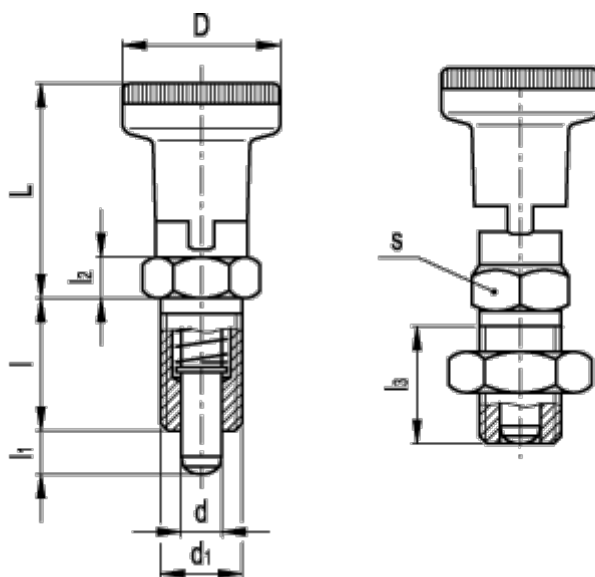


Article number: 2308051661

Description: E+G Technopolymer indexing plunger w/hold
PMT.101-SST-8-M16x1.5-A

Measures



Code = PMT.101-8-M16x1,5-SST-A

D = 31

d = 8

d1 = M16x1.5

l = 26

L = 43

l1 = 7

l2 = 8

l3 = 23

Max. axial load (N) = 26

s = 19